



L.S. Bilodeau^{INC.}

STEEL PRODUCT MANUFACTURING

Feeders (hogs) • Stainless Equipments • Pool-heaters • Boilers - Furnaces - Ventilation • Maple Equipments



bilovax
Smoke
Free*
Technology

AirBils

par/by L.S. Bilodeau inc.

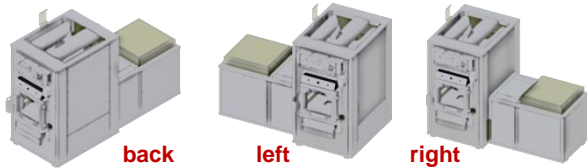
HOT AIR HEATING

PULSED AIR CONFORT

To heat up to
3 500 pi² of superface area.

- Smoke Free Technology*
- Environmental innovation
(more than 40 % wood savings)
- *AirBils* 250 000 BTU
- High efficiency (up to 83%)
- Domestic hot water coil (option)
- Quick connections (Molex connectors)
- Maximum log length (24" (61 cm))
- Option dual fuel wood-electricity
- Option ventilation ducts (plenums)
- Option ember burner
- Option Novoclimat™ programme
- Option add-on installation

Installation choices for vent box:



* Smoke free after approximately 10 minutes if fired as recommended by manufacturer.



AirBils

281 Route 108 Est, Saint-Éphrem, QC G0M 1R0 • 418 484-2013 • lsbilodeau.com
 Québec Division: 1025, 2e Rang, Neuville, QC G0A 2R0 (Exit 281-N Highway 40) • 418 876-0006

Brand: **AirBilo**

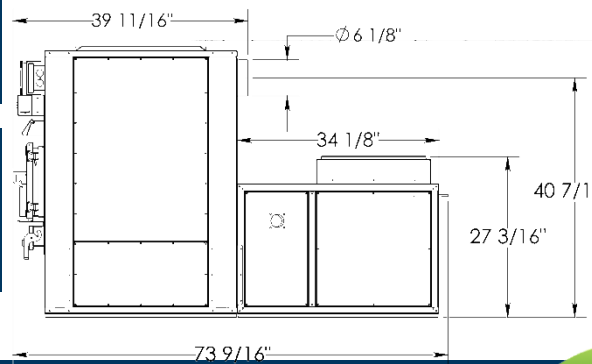
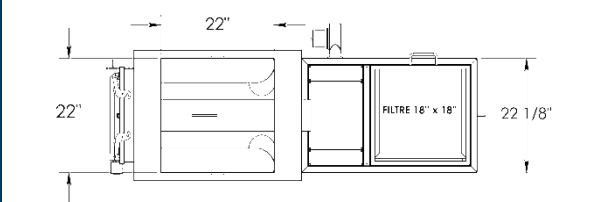
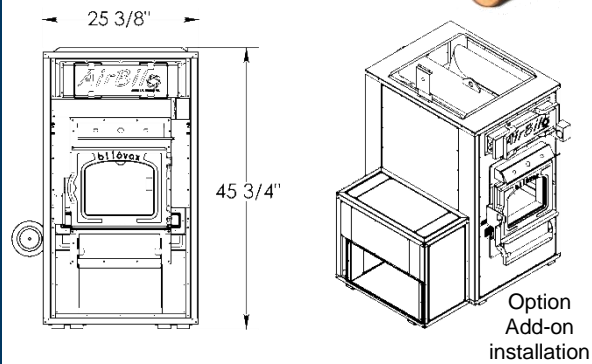
Model: Hot air wood-fired furnace

The hot air furnace system (pulsed air)

AirBilo

SPECIFICATIONS	
Fuel type	Wood
Loading capacity	Upto 50 lbs (23 kg)
Heat output	250 000 BTU – 95 000 BTU/h based on 39 lbs of wood and ember burner
Heating surface	Upto 3 500 square feet
Appliance type	Pulsed air (hot air)
Construction	Steel
Outside finiton	Stainless steel
Outside dimensions (furnace section only)	25-3/8" L x 39-11/16" D x 45-3/4" H (65 cm L x 101 cm D x 116 cm H)
Outside dimensions (fan box section only)	22-1/8" L x 34-1/8" D x 27-3/16" H (56 cm L x 87 cm D x 69 cm H)
Recommended flue size	6" (single wall at 18" from combustion materials and double wall at 6" from combustion materials)
Chimney type	Insulated 2,100 °F (1,150 °C)
Recommended chimney size	6"
Firebox dimensions	19" L x 25" D x 15" H (48 cm L x 64 cm D x 38 cm H)
Maximum log length	24" (61 cm)
Door opening dimensions	13" L x 10-1/2" H (33 cm L x 26,7 cm H)
Ash drawer dimensions	11-3/4" L x 27-1/4" D x 4-1/4" H (30 cm L x 69 cm D x 11 cm H)
Minimum clearance front	48" (122 cm)
Minimum clearance back	12" (30 cm)
Minimum clearance sides	Side 1 (one): 24" (61 cm) Side 2 (two): 6" (15 cm)
Weight furnace only (vent box not included)	495 lbs (225 kg) approximately
Filter dimensions	18" x 18" x 1" or 2" or 4" thickness (46 cm x 46 cm x 2.5 cm or 5 cm or 10.2 cm)
Localization of ventilation box section	Back, left or right
Fan power	1/3 hp, 3 speeds, 5 amperes, 1 200 CFM
Electric control (wood)	120 volts, 5 amperes
Certification standards – pollution/safety	Approved CSA/B415 standard
Particulate emissions	Average of 0.061 gr/Mj (approximately)

OPTIONS Dual-fuel (wood-electric)			
Models	Volts	Amperes	Breaker
AirBilo -16.5 kW	120/240	75	100
AirBilo -22 kW	120/240	100	125
Ember burner	Option		
Domestic hot water coil	Option		
Option for Novoclimat™ programme	Option		



Boilers wood-fired or dual-fuel (Hot water central)



bilovax

LS450
• 500 000 BTU

LS950
• 1 000 000 BTU



bilovax

LS150
• 150 000 BTU



L.S. Bilodeau
STEEL PRODUCT MANUFACTURING